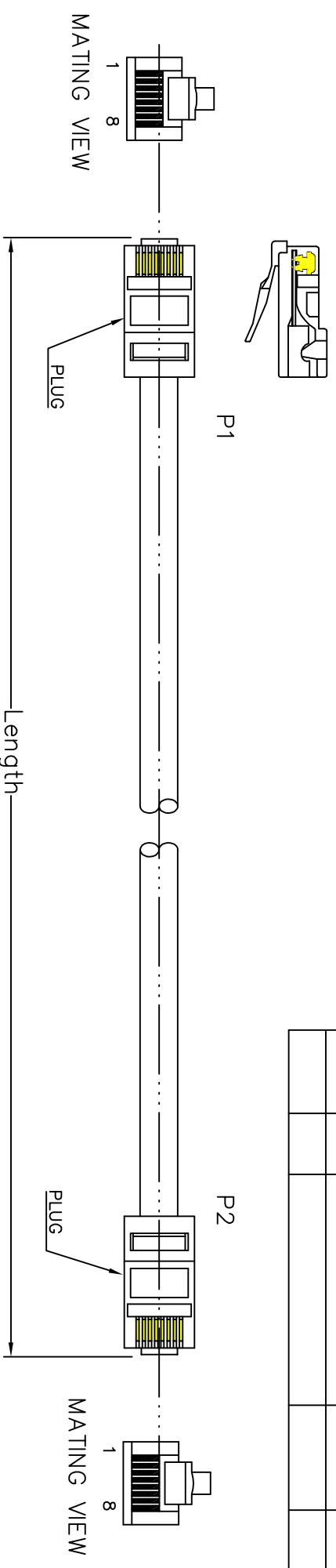
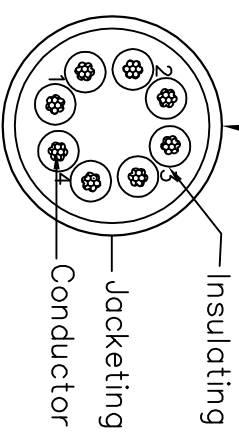


DATE	REV	DESCRIPTION	BY	CHKD

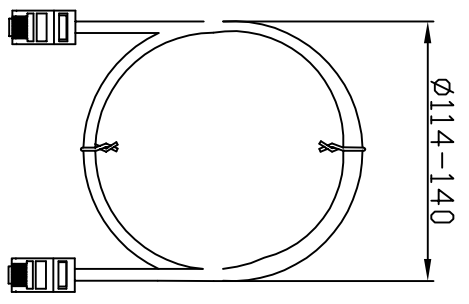


Marking YFC UTP CAT.5E 350MHZ PATCH ISO/IEC 11801 & EN 50288 & TIA/EIA-568-B.2 3P VERIFIED FOR GIGABIT ETHERNET  
 24AWG4P TYPE CM (UL) C(UL) CMH E164469-F3



<b>Conductor</b>	Base Copper 24AWG 70/196 ± 0.015mm
<b>Insulation</b>	Thickness:MIN at any point(0.15mm) MAX AV(G0.25mm) Diameter:0.98 ± 0.06mm
<b>Jacketing PVC</b>	Thickness:MIN at any point(0.42mm) MAX AV(G0.48mm) Diameter:5.4 ± 0.2mm

<b>WIRE</b>	CAT.5E UTP STR
<b>PLUG</b>	
<b>Length</b>	XXFT
<b>COLOR</b>	X



orange 1	green 2
white/orange	white/green
blue 3	brown 4
white/blue	white/brown

PA/R	PINOUT			
	P1 (T568B)	WIRE	P2 (T568B)	
1	1	WHT/ORG	1	
	2	ORG	2	
2	3	WHT/GRN	3	
	6	GRN	6	
3	4	BLU	4	
	5	WHT/BLU	5	
4	7	WHT/BRN	7	
	8	BRN	8	

Unless specified on the drawing, tolerances are per the follows:

.X	± 1
.XX	± 0.2
.XX	± 0.05



3RD					
DRAW .NO		ITEM	CAT.5E UTP STR		
DEPARTMENT		DRAW	Peace Jing	DATE	2005/12/27
SCALE		CHECKER		APPROVAL	
UNIT	MM	SHEET	1	OF	1